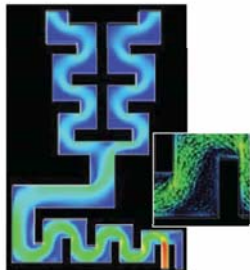
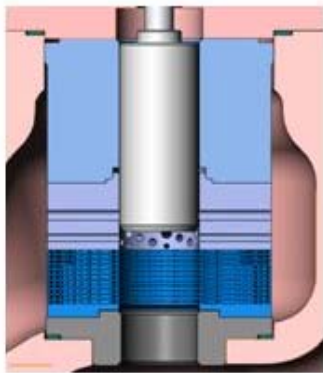
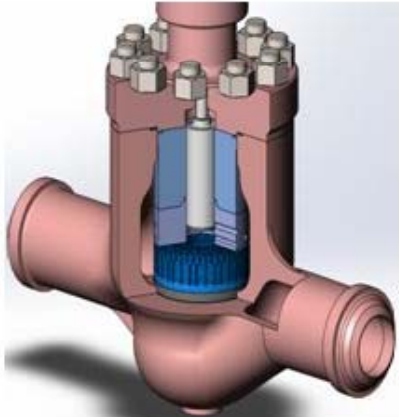


# KVT control valve trim model HEST-IV



Trim Type	HEST-IV
Valve Design	Straight, Angle
Service Function	Velocity & Cavitating Condition
Valve Sizes, mm	50(2") ~ 600(24")
<b>Cv Range</b>	<b>5.4 ~ 2300</b>
Flow Direction	Under
WEB Seal Type	Quick Change
Leakage Class	IV, V
Flow Characteristic	Linear, Mod. Eq%
<b>Cavitation Index Range</b>	<b>1.05</b>
Balance of Trim	Unbalanced, Balanced
Rangeability	Per Application
Typical Applications	Feed Pump Recirculation, Feedwater Startup Bypass
Features	<ul style="list-style-type: none"> <li>● Typical labyrinth trim(velocity controlled), but the flow passage size is much smaller &amp; many steps design available than HEST-II &amp; HEST-III.</li> <li>● Very good for very high <math>\Delta P</math> condition.</li> <li>● Flow direction is to be under the web.</li> </ul>