



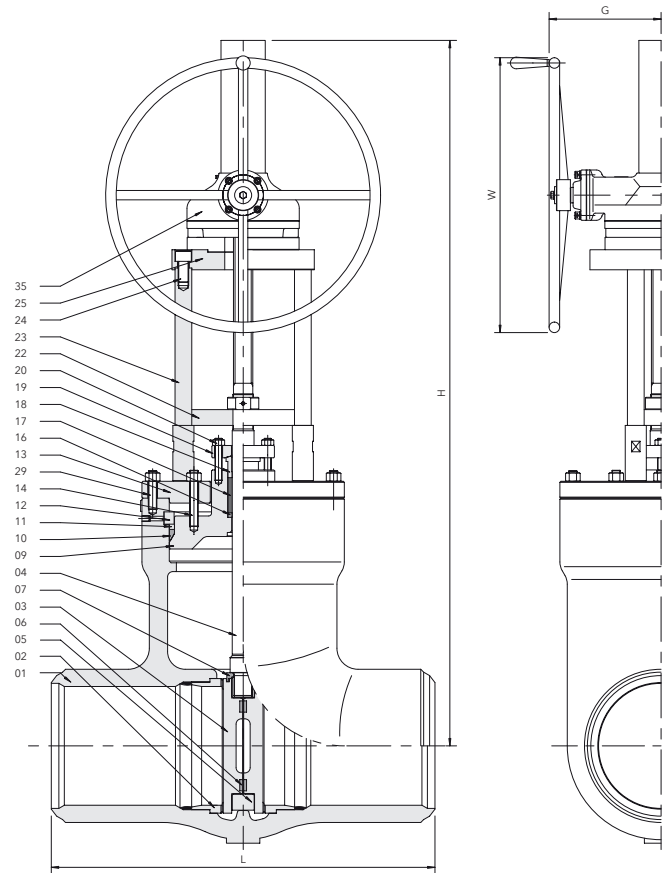
ASME CLASS:
1500

FEATURES

Body	Cast Steel, T-type
Construction	Parallel Slide - Pressure Seal Bonnet - Integral Backseat
Design	ASME B16.34 - API 600 - BS-EN 10434 - EN 12516
Pressure Testing	ASME B16.34 - API 598 - EN 12266
End Connections	Buttwelding
Operation	Handwheel - Gearbox (recommended for items with *) - Electric or Pneumatic Actuator
Options	Double Disc - Flexible Wedge
Auxiliaries	Auxiliary Connections and/or Protection Against Pressure Locking
Accessories	Limit Switches - Locking Device - Stem Cover (others on request)
Body	(S)A216 WCB - (S)A217 WC6 - (S)A217 WC9 - (S)A217 C12A (others on request)

MATERIALS

01. Body	(S) A216 WCB (see above)
02. Seat Ring	A105 + Stellite #12
03. Parallel Disc	A216 WCB + Stellite #6
04. Stem	A479-410
05. Disc Holder	13 CR
06. Belleville Springs	Inconel 718
07. Disc Guide	13 CR
09. Bonnet	(S) A216 WCB
10. Gasket	Graphite / S.S.
11. Thrust Ring	13 CR
12. Segmental Ring	13 CR
13. Bonnet Clamp	Carbon Steel
14. Bonnet Bolting	A193-B7 / A194-2H
16. Ring	13 CR
17. Stem Packing	Graphite
18. Gland	A276-410
19. Gland Follower	A105
20. Gland Bolting	A193-B7 / A194-2H
22. Position Indicator	Carbon Steel
23. Yoke Bar	Carbon Steel
24. Yoke Bolt	A307-B
25. Yoke Flange	Carbon Steel
29. Clamp Bolting	A193-B7 / A194-2H
35. Gearbox	



MAIN DIMENSIONS IN MM (INCH)

NOM. SIZE	L	H	W	G	CV	WEIGHT KG
80 (3")	305 (12.0)	650 (25.6)	350 (13.8)	-	410	65 (143 LB)
100 (4")	406 (16.0)	810 (31.9)	400 (15.7)	-	740	110 (243 LB)
150 (6")	559 (22.0)	1095 (43.1)	500 (19.7)	-	1620	235 (518 LB)
200 (8")	711 (28.0)	1052 (41.4)	* 500 (19.7)	264 (10.4)	2820	365 (805 LB)
250 (10")	864 (34.0)	1260 (49.6)	* 630 (24.8)	289 (11.4)	4400	610 (1345 LB)
300 (12")	991 (39.0)	1320 (52.0)	* 630 (24.8)	353 (13.9)	6280	1010 (2227 LB)
350 (14")	1067 (42.0)	1395 (54.9)	* 710 (28.0)	353 (13.9)	7470	1230 (2712 LB)
400 (16")	1194 (47.0)	1660 (65.4)	* 800 (31.5)	415 (16.3)	9890	1710 (3770 LB)
450 (18")	1346 (53.0)	1705 (67.1)	* 900 (35.4)	425 (16.7)	12590	2490 (5490 LB)
500 (20")	1473 (58.0)	1890 (74.4)	* 900 (35.4)	460 (18.1)	15550	3520 (7760 LB)
600 (24")	1549 (61.0)	2020 (79.5)	* 1000 (39.4)	500 (19.7)	22950	5740 (12655 LB)