



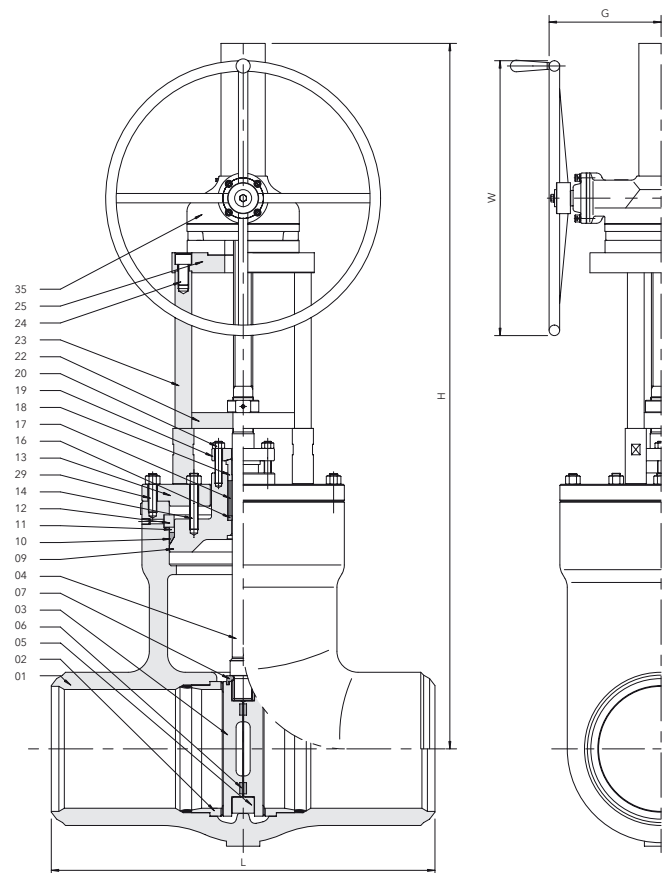
ASME CLASS:  
**2500**

### FEATURES

Body	Cast Steel, T-type
Construction	Parallel Slide - Pressure Seal Bonnet - Integral Backseat
Design	ASME B16.34 - API 600 - BS-EN 10434 - EN 12516
Pressure Testing	ASME B16.34 - API 598 - EN 12266
End Connections	Buttwelding
Operation	Handwheel - Gearbox (recommended for items with *) - Electric or Pneumatic Actuator
Options	Double Disc - Flexible Wedge
Auxiliaries	Auxiliary Connections and/or Protection Against Pressure Locking
Accessories	Limit Switches - Locking Device - Stem Cover (others on request)
Body	(S)A216 WCB - (S)A217 WC6 - (S)A217 WC9 - (S)A217 C12A (others on request)

### MATERIALS

01. Body	(S) A216 WCB (see above)
02. Seat Ring	A105 + Stellite #12
03. Parallel Disc	A216 WCB + Stellite #6
04. Stem	A479-410
05. Disc Holder	13 CR
06. Belleville Springs	Inconel 718
07. Disc Guide	13 CR
09. Bonnet	(S) A216 WCB
10. Gasket	Graphite / S.S.
11. Thrust Ring	13 CR
12. Segmental Ring	13 CR
13. Bonnet Clamp	Carbon Steel
14. Bonnet Bolting	A193-B7 / A194-2H
16. Ring	13 CR
17. Stem Packing	Graphite
18. Gland	A276-410
19. Gland Follower	A105
20. Gland Bolting	A193-B7 / A194-2H
22. Position Indicator	Carbon Steel
23. Yoke Bar	Carbon Steel
24. Yoke Bolt	A307-B
25. Yoke Flange	Carbon Steel
29. Clamp Bolting	A193-B7 / A194-2H
35. Gearbox	



### MAIN DIMENSIONS IN MM (INCH)

NOM. SIZE	L	H	W	G	CV	WEIGHT KG
80 (3")	368 (14.5)	620 (24.4)	400 (15.7)	-	290	85 (187 LB)
100 (4")	457 (18.0)	775 (30.5)	450 (17.7)	-	480	120 (265 LB)
150 (6")	610 (24.0)	1055 (41.5)	500 (19.7)	-	1210	275 (606 LB)
200 (8")	762 (30.0)	975 (38.4)	* 630 (24.8)	258 (10.2)	1920	455 (1003 LB)
250 (10")	914 (36.0)	1145 (45.1)	* 710 (28.0)	279 (11.0)	3210	790 (1742 LB)
300 (12")	1041 (41.0)	1330 (52.4)	* 800 (31.5)	356 (14.0)	4480	1220 (2690 LB)
350 (14")	1118 (44.0)	1395 (54.9)	* 800 (31.5)	356 (14.0)	5300	1790 (3946 LB)
400 (16")	1245 (49.0)	1490 (58.7)	* 900 (35.4)	381 (15.0)	6910	2270 (5005 LB)
450 (18")	1397 (55.0)	1660 (65.4)	* 900 (35.4)	381 (15.0)	8760	3490 (7694 LB)
500 (20")	1473 (58.0)	1800 (70.9)	* 1000 (39.4)	444 (17.5)	10750	4480 (9877 LB)