



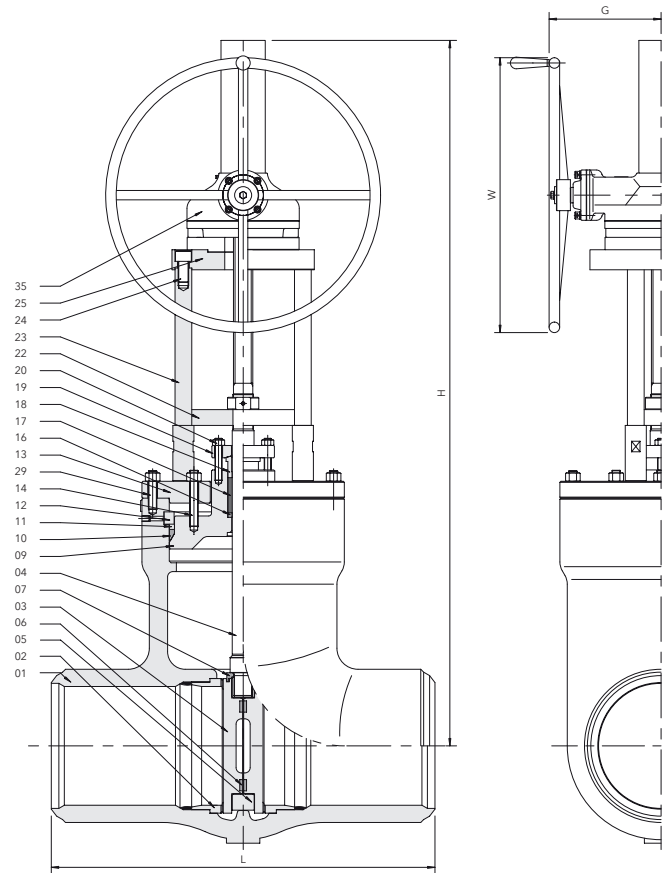
ASME CLASS:
600

FEATURES

Body	Cast Steel, T-type
Construction	Parallel Slide - Pressure Seal Bonnet - Integral Backseat
Design	ASME B16.34 - API 600 - BS-EN 10434 - EN 12516
Pressure Testing	ASME B16.34 - API 598 - EN 12266
End Connections	Buttwelding
Operation	Handwheel - Gearbox (recommended for items with *) - Electric or Pneumatic Actuator
Options	Double Disc - Flexible Wedge
Auxiliaries	Auxiliary Connections and/or Protection Against Pressure Locking
Accessories	Limit Switches - Locking Device - Stem Cover (others on request)
Body	(S)A216 WCB - (S)A217 WC6 - (S)A217 WC9 - (S)A217 C12A (others on request)

MATERIALS

01. Body	(S) A216 WCB (see above)
02. Seat Ring	A105 + Stellite #12
03. Parallel Disc	A216 WCB + Stellite #6
04. Stem	A479-410
05. Disc Holder	13 CR
06. Belleville Springs	Inconel 718
07. Disc Guide	13 CR
09. Bonnet	(S) A216 WCB
10. Gasket	Graphite / S.S.
11. Thrust Ring	13 CR
12. Segmental Ring	13 CR
13. Bonnet Clamp	Carbon Steel
14. Bonnet Bolting	A193-B7 / A194-2H
16. Ring	13 CR
17. Stem Packing	Graphite
18. Gland	A276-410
19. Gland Follower	A105
20. Gland Bolting	A193-B7 / A194-2H
22. Position Indicator	Carbon Steel
23. Yoke Bar	Carbon Steel
24. Yoke Bolt	A307-B
25. Yoke Flange	Carbon Steel
29. Clamp Bolting	A193-B7 / A194-2H
35. Gearbox	



MAIN DIMENSIONS IN MM (INCH)

NOM. SIZE	L	H	W	G	WEIGHT KG
80 (3")	254 (10.0)	565 (22.2)	250 (9.8)	-	53 (117 LB)
100 (4")	305 (12.0)	780 (30.7)	350 (13.8)	-	92 (203 LB)
150 (6")	457 (18.0)	1140 (44.9)	450 (17.7)	-	210 (463 LB)
200 (8")	584 (23.0)	1400 (55.1)	500 (19.7)	-	380 (838 LB)
250 (10")	711 (28.0)	1182 (46.5)	* 500 (19.7)	237 (9.3)	648 (1429 LB)
300 (12")	813 (32.0)	1264 (49.8)	* 500 (19.7)	237 (9.3)	710 (1565 LB)
350 (14")	889 (35.0)	1542 (60.7)	* 500 (19.7)	237 (9.3)	938 (2068 LB)
400 (16")	991 (39.0)	1730 (68.1)	* 630 (24.8)	258 (10.2)	1487 (3278 LB)
450 (18")	1092 (43.0)	1776 (69.9)	* 710 (28.0)	279 (11.0)	1980 (4365 LB)
500 (20")	1194 (47.0)	1834 (72.2)	* 710 (28.0)	279 (11.0)	2635 (5809 LB)
600 (24")	1397 (55.0)	2105 (82.9)	* 800 (31.5)	356 (14.0)	3730 (8223 LB)